

Victor

Table Top Displays

Toppers



Deli Toppers

A range of co-ordinated heated, refrigerated and ambient counter top display units designed for food to go application.

Heated Units - Plain Top

Designed to maintain the temperature of hot food by providing heat from below supplementing heat from above via quartz halogen heat lamps.

- Stainless steel construction.
- Variable heat control to base.
- Removable glass side panels.
- Bright polished gantry arms and light box housing.
- Operator changeable quartz heat lamps.
- Choice of full height curved glass screen or curved glass sneeze screen.
- Three model sizes.
- All units operate from a single 13 amp supply and are supplied with 2 metres of cable and a fused 13 amp plug.



Model No. **MHPL3W**
1177 x 660 x 620mm



Model No. **MHBM2**
850 x 660 x 620mm



Model No. **MHPL4**
1504 x 660 x 620mm

Special Order Items



Model No. **MHPL3**
1177 x 660 x 620mm

Optional Extras

- Removable perforated angled deck panels (as shown).



Deli Topper models can be fitted with a square flat glass gantry to special order.

Heated Units - Bains Marie Top

A more flexible heated unit is provided with a flat Bains Marie collar which accepts GN1/1 containers up to 100mm deep. With the addition of either glass, tiled or carvery inserts a choice of food presentation options are provided.

- Dry heat well.
- Accepts containers up to 100mm deep (not included)



Model No. **MHBM4**
1504 x 660 x 620mm



Shown with optional inclined collar

Enhanced presentation of hot food products can be provided by the use of the optional inclined collar

Optional Extras

- Inclined collar.
- Tiled inserts see page 39.
- Carvery inserts.
- Glass inserts.

Ambient Units

Designed for attractive display of ambient foods

- Stainless steel construction.
- Fluorescent illumination to top.
- Removable glass side panels.
- Bright polish gantry arms and light box housing.
- Choice of full height curved glass screen or curved glass sneeze screen to the front.
- Choice of one or two shelf models.
- Three model sizes, open front models also available.
- All units operate from a single 13 amp supply and are supplied with 2 metres of cable and a fused 13 amp plug.



Model No. **MAGL3**
1177 x 660 x 620mm



Model No. **MAGH3**
1177 x 660 x 780mm



Model No. **MAGL2**
850 x 660 x 620mm



Heated Displays - One Tier

Full height glass screen and side cheeks.

Part No.	Length	Loading
MHPL2	850mm	1.1kW
MHPL3	1177mm	1.9kW
MHPL4	1504mm	2.7kW



Heated Displays - One Tier

Curved glass sneeze screen and side cheeks.

Part No.	Length	Loading
MHPL2W	850mm	1.1kW
MHPL3W	1177mm	1.9kW
MHPL4W	1504mm	2.7kW



Heated Displays - Bains Marie

Full height glass screen with side cheeks and flat GN collar.

Part No.	Length	Loading
MHBM2	850mm	1.1kW
MHBM3	1177mm	1.9kW
MHBM4	1504mm	2.7kW



Heated Displays - Bains Marie

Curved glass sneeze screen with side cheeks and flat GN collar.

Part No.	Length	Loading
MHBM2W	850mm	1.1kW
MHBM3W	1177mm	1.9kW
MHBM4W	1504mm	2.7kW



Ambient Displays - Two Tier

Full height glass screen and side cheeks.

Part No.	Length	Loading
MAGH3	1177mm	50W
MAGH4	1504mm	50W



Ambient Displays - Two Tier

Curved glass sneeze screen and side cheeks.

Part No.	Length	Loading
MAGH2W	850mm	50W
MAGH3W	1177mm	50W
MAGH4W	1504mm	50W



Ambient Displays - One Tier

Full height glass screen and side cheeks.

Part No.	Length	Loading
MAGL2	850mm	50W
MAGL3	1177mm	50W
MAGL4	1504mm	50W



Ambient Displays - One Tier

Curved glass sneeze screen and side cheeks.

Part No.	Length	Loading
MAGL2W	850mm	50W
MAGL3W	1177mm	50W
MAGL4W	1504mm	50W

Deli Toppers can be fitted with flat glass gantry screens as detailed on page 87.

Deli Toppers can be fitted with flat glass gantry screens as detailed on page 84.



Refrigerated Displays - One Tier
Full height glass screen and side cheeks.

Part No.	Length	Loading
MRGL2	1130mm	0.9kW
MRGL3	1530mm	0.9kW



Refrigerated Displays - One Tier
Curved glass sneeze screen and side cheeks.

Part No.	Length	Loading
MRGL2W	1130mm	0.9kW
MRGL3W	1530mm	0.9kW



Model No. **MRGL2W**
1130 x 660 x 620mm

Refrigerated Units

Refrigerated counter top displays for the Food-to-Go market

- Contact cooled refrigeration system.
- Stainless steel construction.
- Fluorescent illumination to top.
- Full height toughened curved glass screen.
- Removable glass side panels.
- Ambient mid shelf.
- Open to rear.
- Operates with a surface temperature of 0°C to 1°C in ambient temperature of 32°C.
- Two model sizes, open front models also available.
- 13 amp supply.



Model No. **MRGL3**
1530 x 660 x 620mm

Heated Display Units

For the simple presentation of heated food. Stainless steel or glass top units designed to accept GN1/1 containers.

Stainless Steel Top Models

Product Features

- Gastronorm compatible top.
- Slimline base.
- 300W operator changeable quartz heat lamps.
- 13 amp supply complete with cable & plug.
- Toughened glass sneeze screen.
- Independent controls to base and gantry.



Model No. **HDU30Z**
1110 x 580 x 520mm 2kW



Model No. **HDU40Z** – Plain top
1435 x 580 x 520mm 2.2kW



Model No. **HDU20Z**
780 x 580 x 520mm 1.35kW

Glass Top Models



Model No. **HDU20ZG** – Glass top
780 x 580 x 520mm 1.35kW



Model No. **HDU30ZG** – Glass top
1110 x 580 x 520mm 2kW



Model No. **HDU40ZG** – Glass top
1435 x 580 x 520mm 2.2kW

Chilled Display Units

For the simple presentation of chilled food.

- Gastronorm compatible top.
- Fluorescent illumination to top.
- 13 amp supply complete with plug.
- Complete with Victor StayKold Eutectic plates.
- Toughened glass sneeze screen.

Gastronorm containers are optional extras.



Model No. **CDU30**
1110 x 580 x 520mm 21W

Caribbean Toppers - Heated

The Victor range of Caribbean Toppers contains 16 models of counter top food display units that allow the caterer to choose the model that meets their food service requirements.

Product Features

- Stainless steel base radius to front & rear
- Variable heat control to dry heat only Bains Marie.
- Accepts gastronorm containers up to 65mm deep.
- 13 amp supply complete with cable & plug.
- Heavy duty construction.
- Stainless steel gantry arms and hood.
- 300W operator changeable quartz heat lamps fitted with dimmer control.



Containers not included.

Model No. **CTB2**
800 x 650 x 635mm 1.35kW

Extras for Bains Marie

- Carvery insert.
- Tiled inserts.
- Glass inserts.
- Inclined collars to Bains Marie.
- Gastronorm containers.

Model No. **CTB1**
1200 x 650 x 635mm 2.4kW
Containers not included.



Glass insert - DHCPI



Tiled insert - DHTPI



Carvery/Gravy insert - BMCVI



Carvery insert - BMCV2

Caribbean Toppers - Heated

The Victor range of Caribbean Toppers contains 16 models of counter top food display units that allow the caterer to choose the model that meets their food service requirements.

Most heated models are available in two lengths, 800mm & 1200mm, and match in terms of style and profile allowing a flexible food service area to be created.

Features Included on Heated Models

- Stainless steel base radius to front & rear.
- Variable heat control to base.
- 13 amp supply complete with cable & plug.
- Heavy duty construction.
- Stainless steel gantry arms and hood.
- 300W operator changeable quartz heat lamps fitted with dimmer control.



Model No. **CTG1**
1200 x 650 x 635mm 1.9kW



Model No. **CTP1**
1200 x 650 x 635mm 2.4kW



Model No. **CTG2**
800 x 650 x 635mm 1.1kW



Model No. **CTP2**
800 x 650 x 635mm 1.35kW

Carvery Topper

- Tiled unit complete with one carvery pad and one tiled insert.
- Carvery pad is removable for easy cleaning.
- Choice of carvery pad position.
- Can be swapped from left to right.

Extras for Carvery Topper

- Tiled insert to replace carvery pad when not in use.
- Additional carvery pad.



Model No. **CTC1**
1200 x 650 x 635mm 2.4kW

Tiled Topper



Model No. **CTT2**
800 x 650 x 635mm 1.35kW



Model No. **CTT1**
1200 x 650 x 635mm 2.4kW

Tile colours may differ from those illustrated.

Toppers

Special Order Items



Carvery topper with curved glass gantry and slate grey tiles

Alternative tile colours to special order



Forest Green

Cobalt Blue

Red



Black

Yellow

Dove Grey

Caribbean Toppers - Refrigerated

The Victor range of Caribbean Toppers contains 16 models of counter top food display units that allow the caterer to choose the model that meets their food service requirements.

Refrigerated models are available in two lengths, 1100mm & 1500mm, and match in terms of style and profile allowing a flexible food service area to be created.

Ice Cooled Topper

- Stainless steel base with radius to front & rear.
- Stainless steel well complete with drain tap.
- Compatible with Victor StayKold Eutectic plates.
- Heavy duty construction.
- Stainless steel gantry arms and hood.
- Fluorescent illumination to gantry overshelf.
- 13 amp supply complete with cable & plug.
- Toughened glass sneeze screen.

Extras

- StayKold Eutectic Plates.

Refrigerated model features

- Stainless steel base radius to front & rear.
- Stainless steel contact cooled well.
- Operates with a surface temperature of 0°C to 1°C in ambient temperatures up to 32°C.
- Heavy duty construction.
- Stainless steel gantry arms and hood.
- Fluorescent illumination to gantry overshelf.
- Toughened glass sneeze screen.



Model No. **CTSI** 1200 x 650 x 635mm 0.2kW



Model No. **BTOREF1** 1500 x 650 x 260mm 1.0kW

Model No. **BTOREF2** 1100 x 650 x 260mm 1.0kW



Model No. **BTOREF3** 1500 x 650 x 260mm 1.0kW

Model No. **BTOREF4** 1100 x 650 x 260mm 1.0kW



Model No. **CTREF15** 1500 x 650 x 635mm 1.0kW



Model No. **CTREF11** 1100 x 650 x 635mm 1.0kW

Buffet Toppers

The Victor range of Buffet Toppers contains 8 models of portable counter top heated display units with interchangeable tops to allow flexible service combinations. Each of the four model types are available with or without a quartz heat lamp over.

Product Features

- Variable heat control to base.
- Heavy duty stainless steel construction.
- Removable top for cleaning.
- 300W operator changeable quartz heat lamps.

Description	With Heat Lamp Over	No Heat Lamp	Spare Top
Carvery Top	BTC4	BTC5	BTCTOP
Glass Top	BTG4	BTG5	BTGTOP
Tiled Top	BTT4	BTT5	BTTTOP
Stainless Steel Top	BTP4	BTP5	BTPTOP

Dimensions

With Heat Lamp 400 x 400 x 550mm 0.6kW loading
 Without Heat Lamp 400 x 400 x 115mm 0.3kW loading

Extras

- Freestanding perspex screen 500 x 250 x 400mm
- Alternative tops



Model No. **BTC5**



Model No. **BTT5**



Model No. **BTG5**



Model No. **BTP5**



Model No. **BTP4**

Model No. **BTT4**

Model No. **BTG4**

Model No. **BTC4**

Toppers

Hot Lamp Units

A choice of four models each with stainless steel top and body panels. Heated by tubular elements to base and copper effect light shades enclosing infrared heat bulbs. Units are complete with a height adjustable acrylic sneeze screen which can be set in a high or low position as shown.



Model No. **QL**
1275 x 615 x 735mm 2.9kW



Model No. **TL**
805 x 505 x 735mm 1.6kW



Model No. **DL**
725 x 505 x 735mm 1.3kW

Hot Plates

- Stainless steel top and body panels.
- Variable heat control.
- Neon indicator light.
- Removable wooden carrying handles.



Model No. **HP1**
600 x 300 x 115mm 0.3kW

Model No. **HP2**
800 x 300 x 115mm 0.4kW

Model No. **HP3**
1000 x 300 x 115mm 0.85kW

Model No. **HP4**
1000 x 500 x 115mm 0.85kW

Burger Chute

Constructed in stainless steel, with two inclined heated shelves and fluorescent light to both levels. Each shelf has a separate thermostat control and removable space dividers. The large unit holds twelve rows of burgers, smaller unit holds eight rows of burgers.

Designed for rear stocking, burger chutes can speed up the service of popular items.

Burger Chutes can be supplied separate or with a compatible Jamaican base unit in a choice of 14 plastic coated steel colour options.

- Two inclined heated shelves.
- Holds up to twelve rows of heated product.
- Fluorescent illumination to each level.
- Thermostatic temperature control.
- Compatible with Victor Jamaican base units.
- Two sizes available.
- Complete with 13 amp plug.



BC30 1050 x 600 x 755mm 3kW
BC20 720 x 600 x 755mm 2kW

BC30 Shown on 1200
Jamaican base unit

Hot Food Merchandising

Specifically designed to meet the requirements of the Stadium pie retailing market. This robust unit can accommodate up to 100 pies. These feature either 4 or 5 removable shelves, internal illumination and an integral humidity tray these units can safely heat up and hold pastry products to allow for effective merchandising.

Features:

- Stainless steel construction with five levels of heated display.
- Toughened clear glass sliding doors with large handles.
- Interior illumination.
- Humidity water tray located to base of unit.
- Insulated double skin construction for safe & efficient operation.
- Recessed top level controls with clear temperature indicator.
- Doors, shelves and the element cover are all removable to allow for easy cleaning.
- Supplied with heat resistant cable and 13 amp plug.



Model No. **HC31SSLGH4** - (Four shelf model)

Model No. **HC31SSLGH5** - (Five shelf model)

1125 x 450 x 900mm 2.2kW



Model No. **HMU50**

470 x 470 x 790mm 1.5kW



Model No. **HMU50PIZM**

Manual 470 x 470 x 790mm 1.5kW

Model No. **HMU50PIZA**

Automatic 470 x 470 x 790mm 1.5kW

Counter Units

- Adjustable thermostat control.
- Stainless Steel Construction.
- Sliding glass door to front.
- Operates from 13 amp supply.



Model No. **CU**

725 x 350 x 490mm 0.7kW



Model No. **SPM75**

760 x 510 x 640mm 1.0kW

Sliding glass door to front and back.

Hot Food Merchandisers

Victor Hot Food Merchandising units contain a 1.5kW heating element that enables refrigerated savoury products to be heated ready for serving. When the display product is ready for sale the unit can be turned down to keep the product at the required temperature.

Specification

- Stainless steel and glass cabinet.
- Stylish moulded dome top.
- Internal illumination to top.
- Thermostatic temperature control.
- Humidity tray.
- Slide out crumb tray.
- Complete with 13 amp plug.
- Three tier square rack.

Pizza Version

- Rotating 4 tier pizza rack.
- Accepts pizzas up to 355mm diameter.
- Manual or electric rotating model options.

Sorrento

A stylish, unobtrusive cabinet which displays your products with maximum impact, whilst keeping them in perfect condition. The position of the compact refrigeration module inside the case allows you to maximise sales from a minimum of counter space. Fluorescent illumination to the top, along with clear acrylic front and sides, provides maximum impact to the products on display. No installation required complete with self evaporating defrost system.

Product Features

- Blown air refrigeration.
- Microprocessor controlled temperature display.
- Easily maintained, removable modular refrigeration system.
- R404 CFC free refrigerant.
- 304 stainless steel base.
- Removable chromed shelves.
- Removable acrylic windows.
- Wipe clean, reinforced plastic end panels.
- Hinged, lift up serving flaps to self service units
- Curved screen to front, top hinged, can be lifted up for cleaning on back service models
- Sliding rear doors on 100 models, hinged door on 70 models
- Maintains cabinet temperature between 3°C & 5°C in ambient temperatures of up to 32°C.
- Less than 1kW loading.
- Supplied with 13 amp plug.

Ambient models available to special order



Sorrento 100 - 3 levels

3 level self service - Model No. SOR100F3

3 level back service only - Model No. SOR100B3

1000 x 650 x 700mm



Sorrento 70

3 level self service - Model No. SOR70F3

3 level back service only - Model No. SOR70B3

2 level self service - Model No. SOR70F2

2 level back service only - Model No. SOR70B2

700 x 650 x 700mm



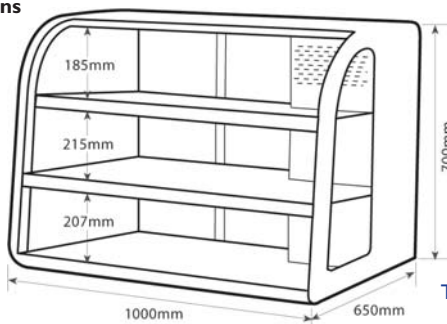
Sorrento 100 - 2 levels

2 level self service - Model No. SOR100F2

2 level back service only - Model No. SOR100B2

1000 x 650 x 700mm

Dimensions



Three level models

Two level models

