



# FABRICATIONS

PRICE LIST 2026/2027



## CONTENTS

<b>WALL BENCHES</b> —————	4
<b>CENTRE BENCHES</b> —————	5
<b>SQUARE GANTRIES</b> —————	6
<b>INFILL TABLES</b> —————	7
<b>SINGLE SINK UNITS</b> —————	8
<b>DOUBLE SINK UNITS</b> —————	9
<b>DISHWASHER TABLES</b> —————	10
<b>WALL CUPBOARDS</b> —————	11
<b>MICROWAVE SHELVES</b> —————	12
<b>WALL SHELVES</b> —————	13
<b>SPECIFICATIONS AND PRICES</b> —————	14
<b>WARRANTY POLICY</b> —————	22

## FABRICATIONS

Durable fabrication solutions manufactured to meet the demands of modern professional kitchens.

Victor Manufacturing delivers a comprehensive range of stainless steel fabrication solutions, from standard units to fully bespoke designs tailored to professional kitchens and foodservice environments.

Built for durability, hygiene, and a clean professional finish, our fabrication supports efficient workflow and reliable performance in demanding daily operations.

### WORKSTATIONS & PREPARATION AREAS

Heavy duty benches, sink units, tabling, and prep stations engineered for continuous commercial use. Smooth, easy clean surfaces support strict food safety standards while delivering long-term durability in high-pressure environments.

### FLEXIBLE STANDARD SOLUTIONS

A wide portfolio of ready configured units allows operators to create organised, space-efficient kitchen layouts. Multiple size and configuration options ensure compatibility across a variety of kitchen footprints.

### HYGIENE DRIVEN CONSTRUCTION

Manufactured from premium grade stainless steel, each unit is designed for strength, sanitation, and ease of maintenance, providing a long lasting professional solution.

### SUITABLE FOR

- Commercial kitchens
- Restaurants
- Cafés
- Bars
- Education
- Healthcare
- Retail foodservice
- Any environment requiring robust, hygienic stainless steel equipment.

### ORDERING INFORMATION

- Orders for standard size products can be placed by emailing [sales@victormfg.co.uk](mailto:sales@victormfg.co.uk) or calling **01274 722125**.
- For bespoke sizes or special enquiries, please contact [contracts@victormfg.co.uk](mailto:contracts@victormfg.co.uk).
- Dedicated project management is available for large-scale projects.

## WALL BENCHES



### DESCRIPTION

High quality stainless steel wall bench designed for use in commercial kitchens. Featuring a solid top for maximum durability and hygiene, it is easy to clean and maintain. Ideal for installation against a wall, providing a practical and space efficient workspace.

### FEATURES

- Stainless steel commercial bench designed for wall positioning with a solid top surface
- Supplied in standard widths of 600, 650, 700, 750, 800, 850mm
- All width options are available in depths up to 850mm
- Standard working height of 900mm, ideal for most commercial kitchen back counter applications
- Worktop incorporates a 50mm downward return along each edge
- Fitted with a 50mm rear upstand to protect the wall surface
- Rear legs positioned 100mm inset to allow space for pipework and services
- Frame supplied with flanged adjustable feet, enabling secure floor fixing.

*See page 14 for all product codes and prices*

### MATERIAL SPECIFICATION

#### Worktop

S/steel 304 grade 1.5mm DP

#### Framework

S/steel 430 grade 30 x 30 1.2mm square box section

#### Undershelf

S/steel 430 grade 1.2mm DP

### PRODUCT SPECIFICATIONS

#### STANDARD HEIGHT 900mm

WIDTH (mm)	DEPTH (mm)					
	600	650	700	750	800	850
<b>300</b>	£300	£310	£320	£330	£340	£350
<b>450</b>	£320	£330	£340	£350	£360	£370
<b>600</b>	£340	£355	£370	£385	£400	£410
<b>900</b>	£370	£390	£410	£430	£450	£470
<b>1200</b>	£410	£435	£460	£485	£510	£535
<b>1500</b>	£470	£500	£530	£560	£590	£620
<b>1800</b>	£530	£565	£590	£620	£650	£680
<b>2100</b>	£610	£650	£690	£730	£770	£810
<b>2400</b>	£690	£730	£770	£810	£850	£890

### OPTIONS & ACCESSORIES

PRODUCT	PRICE
350mm high splash back (per metre)	£162
3 drawer bank	£649
Anti drip detail (per metre)	£145
Additional upstand (per metre)	£33
Casters fitted to fabricated bench - 4 off-2 braked	£195
Casters fitted to fabricated bench - 6 off-2 braked	£291
Corner chamfer (per metre)	£33
Cut out & rubber scraping ring	£140
Drop down section	£398
Lock per door set	£87
Leg set	£38
Mechanical butt joint	£192
Notch/pipe cut out	£95
Reinforced top (per metre)	£70
Stainless back panel (per metre)	£63
Single drawer	£214
Sound deadened mdf backed fab bench worktop (per metre)	£65
Sound deadened mdf fab bench worktop stainless steel back (per metre)	£135
Stainless steel scrap chute	£155

## CENTRE BENCHES



### DESCRIPTION

Stainless steel centre benches designed to meet high hygiene standards and deliver maximum durability. They are hard wearing and suitable for any commercial kitchen environment

### FEATURES

- Freestanding stainless steel preparation table with a solid top
- Supplied in standard widths of 600, 650, 700, 750, 800, 850mm
- All width options are available in depths up to 850mm
- Standard working height of 900mm, ideal for most commercial kitchen back counter applications
- Worktop incorporates a 50mm downward return along each edge
- Suitable for use as a central island workstation
- Legs recessed 25mm from the rear and 50mm from each end
- Frame supplied with flanged adjustable feet, enabling secure floor fixing.

*See page 15 for all product codes and prices*

### MATERIAL SPECIFICATION

#### Worktop

S/steel 304 grade 1.5mm DP

#### Framework

S/steel 430 grade 30 x 30 1.2mm square box section

#### Undershelf

S/steel 430 grade 1.2mm DP

### PRODUCT SPECIFICATIONS

#### STANDARD HEIGHT 900mm

WIDTH (mm)	DEPTH (mm)					
	600	650	700	750	800	850
<b>300</b>	£310	£330	£350	£370	£390	£410
<b>450</b>	£320	£340	£360	£380	£400	£420
<b>600</b>	£330	£350	£370	£390	£410	£430
<b>900</b>	£400	£420	£440	£460	£480	£500
<b>1200</b>	£435	£460	£485	£510	£535	£560
<b>1500</b>	£480	£505	£530	£555	£580	£605
<b>1800</b>	£535	£570	£605	£640	£675	£710
<b>2100</b>	£620	£665	£710	£755	£800	£845
<b>2400</b>	£705	£750	£795	£840	£885	£930

### OPTIONS & ACCESSORIES

PRODUCT	PRICE
350mm high splashback (per metre)	£162
3 drawer bank	£649
4 off dishwasher basket runners	£155
Anti drip detail (per metre)	£145
Additional upstand (per metre)	£33
Casters fitted to fabricated bench - 4 off-2 braked	£195
Casters fitted to fabricated bench - 6 off-2 braked	£291
Corner chamfer (per metre)	£33
Cut out & rubber scraping ring	£140
Drop down section	£398
Lock per door set	£87
Leg set	£38
Mechanical butt joint	£192
Notch/pipe cut out	£95
Reinforced top (per metre)	£70
Stainless back panel (per metre)	£63
Single drawer	£214
Sound deadened mdf backed fab bench worktop (per metre)	£65
Sound deadened mdf fab bench worktop stainless steel back (per metre)	£135
Stainless steel scrap chute	£155

## SQUARE GANTRIES



### PRODUCT SPECIFICATIONS

ONE TIER AMBIENT		TWO TIER AMBIENT	
WIDTH (mm)	DEPTH (mm)	WIDTH (mm)	DEPTH (mm)
	350		300
<b>900</b>	£445	<b>900</b>	£545
<b>1200</b>	£465	<b>1200</b>	£605
<b>1500</b>	£485	<b>1500</b>	£665
<b>1800</b>	£505	<b>1800</b>	£725
<b>2100</b>	£525	<b>2100</b>	£785

### DESCRIPTION

Practical gantry units designed to maximise space and improve kitchen efficiency. Suitable for fitting above plain top, pass-through or Bain Marie hot cupboards and can also be independently fitted to other equipment. Durable and ideal for busy commercial kitchens.

### FEATURES

- Single tier - 320mm high  
Overhead steel single tier storage shelf
- Double tier - 605mm high  
Overhead steel single tier storage shelf
- Choice of ambient and heated (quartz) gantries
- Available in 350mm depth throughout
- Available in 900mm, 1200mm, 1500mm, 1800mm and 2100mm

*See page 17 for all product codes and prices*

### MATERIAL SPECIFICATION

#### Worktop

S/steel 304 grade 1.5mm DP

#### Framework

S/steel 430 grade 30 x 30 1.2mm square box section

#### Undershelf

S/steel 430 grade 1.2mm DP

### ONE TIER QUARTZ LIT TWO TIER QUARTZ LIT

WIDTH (mm)	DEPTH (mm)	WIDTH (mm)	DEPTH (mm)
	350		300
<b>900</b>	£545	<b>900</b>	£895
<b>1200</b>	£605	<b>1200</b>	£1015
<b>1500</b>	£665	<b>1500</b>	£1135
<b>1800</b>	£725	<b>1800</b>	£1255
<b>2100</b>	£785	<b>2100</b>	£1375



## INFILL TABLES



### DESCRIPTION

Designed to fit neatly between two pieces of equipment for a seamless finish. Helps to maximise space and improve workflow while supporting efficient, safe and hygienic food preparation and service.

### FEATURES

- Supplied in standard widths of 300, 400, 500 and 600mm
- All width options are available in depths up to 850mm
- Standard working height of 900mm, ideal for most commercial kitchen back counter applications
- Worktop incorporates a 50mm downward return along each edge
- Frame supplied with flanged adjustable feet, enabling secure floor fixing.

*See page 18 for all product codes and prices*

### MATERIAL SPECIFICATION

#### Worktop

S/steel 304 grade 1.5mm DP

#### Framework

S/steel 430 grade 30 x 30 1.2mm square box section

#### Undershelf

S/steel 430 grade 1.2mm DP

### PRODUCT SPECIFICATIONS

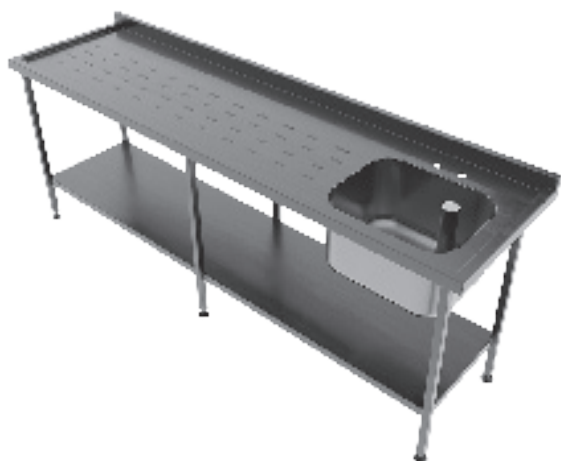
#### STANDARD HEIGHT 900mm

WIDTH (mm)	DEPTH (mm)					
	600	650	700	750	800	850
<b>300</b>	£300	£320	£340	£360	£380	£400
<b>400</b>	£310	£330	£350	£370	£390	£410
<b>500</b>	£320	£340	£360	£380	£400	£420
<b>600</b>	£330	£350	£370	£390	£410	£430

### OPTIONS & ACCESSORIES

PRODUCT	PRICE
350mm high splashback (per metre)	£162
Additional upstand (per metre)	£33
Casters fitted to fabricated bench - 4 off-2 braked	£195
Casters fitted to fabricated bench - 6 off-2 braked	£291
Corner chamfer (per metre)	£33
Cut out & rubber scraping ring	£140
Drop down section	£398
Leg set	£38
Notch/pipe cut out	£95
Reinforced top (per metre)	£70
Stainless back panel (per metre)	£63
Sound deadened mdf backed fab bench worktop (per metre)	£65
Sound deadened mdf fab bench worktop stainless steel back (per metre)	£135
Stainless steel scrap chute	£155

## SINGLE SINK UNITS



### DESCRIPTION

Free standing stainless steel single sink unit with a commercial grade bowl and integrated drainer worktop. Durable, easy clean and designed for efficient use in busy commercial kitchens.

### FEATURES

- Supplied in standard widths of 700, 1200, 1500, 1800 and 2400mm
- All width options are available in depths up to 750mm
- Standard working height of 900mm, ideal for most commercial kitchen back counter applications
- Worktop incorporates a 50mm downward return along each edge
- Frame supplied with flanged adjustable feet, enabling secure floor fixing
- Bowl sizes - 500 x 400 x 300 for units 600 & 650 deep
- Bowl sizes - 600 x 450 x 300 for units 700 & 750 deep

*See page 18 for all product codes and prices*

### MATERIAL SPECIFICATION

#### Worktop

S/steel 304 grade 1.5mm DP

#### Framework

S/steel 430 grade 30 x 30 1.2mm square box section

S/steel 430 grade 30 x 15 1.5mm square box section

#### Undershelf

S/steel 430 grade 1.2mm DP

### PRODUCT SPECIFICATIONS

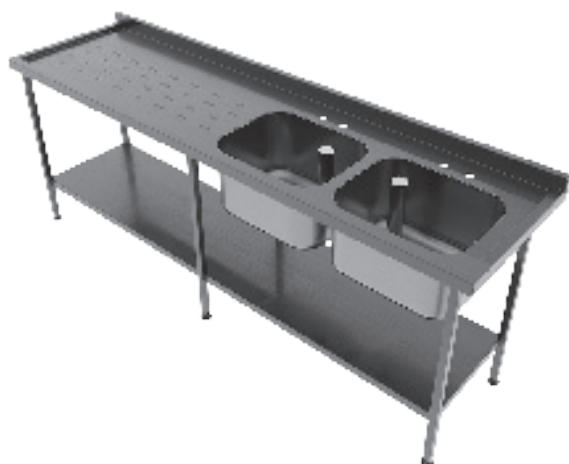
#### STANDARD HEIGHT 900mm

WIDTH (mm)	DEPTH (mm)			
	600	650	700	750
<b>700</b>	£850	£865	£880	£895
<b>1200</b>	£930	£955	£980	£1005
<b>1500</b>	£1010	£1035	£1060	£1085
<b>1800</b>	£1090	£1115	£1140	£1165
<b>2400</b>	£1290	£1335	£1380	£1425

### OPTIONS & ACCESSORIES

PRODUCT	PRICE
350mm high splashback (per metre)	£162
4 off dishwasher basket runners	£155
Anti drip detail (per metre)	£145
Additional upstand (per metre)	£33
Casters fitted to fabricated bench - 4 off-2 braked	£195
Casters fitted to fabricated bench - 6 off-2 braked	£291
Corner chamfer (per metre)	£33
Cut out & rubber scraping ring	£140
Drop down section	£398
V-drain drainer	£150
Lock per door set	£87
Leg set	£38
Mechanical butt joint	£192
Notch/pipe cut out	£95
Reinforced top (per metre)	£70
Sink bowl cover	£130
Stainless back panel (per metre)	£63
Single drawer	£214
Sound deadened mdf backed fab bench worktop (per metre)	£65
Sound deadened mdf fab bench worktop stainless steel back (per metre)	£135
Stainless steel scrap chute	£155

## DOUBLE SINK UNITS



### DESCRIPTION

Free standing stainless steel double sink unit with commercial grade bowls and an integrated drainer worktop. Durable, easy to clean and designed for efficient use in busy commercial kitchens.

### FEATURES

- Supplied in standard widths of 700, 1200, 1500, 1800 and 2400mm
- All width options are available in depths up to 750mm
- Standard working height of 900mm, ideal for most commercial kitchen back counter applications
- Worktop incorporates a 50mm downward return along each edge
- Frame supplied with flanged adjustable feet, enabling secure floor fixing
- Bowl sizes - 500 x 400 x 300 for units 600 & 650 deep
- Bowl sizes - 600 x 450 x 300 for units 700 & 750 deep

*See page 20 for all product codes and prices*

### MATERIAL SPECIFICATION

#### Worktop

S/steel 304 grade 1.5mm DP

#### Framework

S/steel 430 grade 30 x 30 1.2mm square box section

S/steel 430 grade 30 x 15 1.5mm square box section

#### Undershelf

S/steel 430 grade 1.2mm DP

### PRODUCT SPECIFICATIONS

STANDARD HEIGHT 900mm

WIDTH (mm)	DEPTH (mm)			
	600	650	700	750
<b>1800</b>	£1490	£1540	£1590	£1640
<b>2400</b>	£1690	£1740	£1790	£1840

### OPTIONS & ACCESSORIES

PRODUCT	PRICE
350mm high splashback (per metre)	£162
4 off dishwasher basket runners	£155
Anti drip detail (per metre)	£145
Additional upstand (per metre)	£33
Casters fitted to fabricated bench - 4 off-2 braked	£195
Casters fitted to fabricated bench - 6 off-2 braked	£291
Corner chamfer (per metre)	£33
Cut out & rubber scraping ring	£140
Drop down section	£398
V-drain drainer	£150
Lock per door set	£87
Leg set	£38
Mechanical butt joint	£192
Notch/pipe cut out	£95
Reinforced top (per metre)	£70
Sink bowl cover	£130
Stainless back panel (per metre)	£63
Single drawer	£214
Sound deadened mdf backed fab bench worktop (per metre)	£65
Sound deadened mdf fab bench worktop stainless steel back (per metre)	£135
Stainless steel scrap chute	£155

## DISHWASHER TABLES



### DESCRIPTION

Robust dishwasher tables made from high quality stainless steel for excellent durability. Designed for use in busy commercial kitchens, helping to improve workflow and efficiency.

### FEATURES

- Supplied in standard widths of 650, 1150, 1650 and 2150mm
- Depth options of 660 and 800 for deeper tap deck
- Standard working height of 900mm. Options available to suit the profile of site dishwasher on request
- Worktop incorporates a 50mm downward return along each edge
- Frame supplied with flanged adjustable feet, enabling secure floor fixing
- Bowl sizes - 600 x 450 x 300 for inlet tables as standard (others available on request)
- Anti drip mould on 3 sides of both inlet/ outlet tables to ensure water retention - one end flat to allow dishwasher baskets to pass. Profile to suit the dishwasher in situ on request
- Left or right options to suit the dishwasher area workflow.

*See page 20 for all product codes and prices*

### MATERIAL SPECIFICATION

#### Worktop

S/steel 304 grade 1.5mm DP

#### Framework

S/steel 430 grade 30 x 30 1.2mm square box section

S/steel 430 grade 30 x 15 1.5mm square box section

#### Undershelf

S/steel 430 grade 1.2mm DP

### PRODUCT SPECIFICATIONS

#### INLET TABLE / OUTLET TABLE

WIDTH (mm)	DEPTH (mm)	EXTENDED TAP DECK (mm)
	660	800
<b>650</b>	£750 / £500	£800 / £550
<b>1150</b>	£850 / £600	£900 / £650
<b>1650</b>	£1000 / £750	£1050 / £800
<b>2150</b>	£1150 / £900	£1225 / £975

### OPTIONS & ACCESSORIES

PRODUCT	PRICE
350mm high splashback (per metre)	£162
4 off dishwasher basket runners	£155
Anti drip detail (per metre)	£145
Additional upstand (per metre)	£33
Casters fitted to fabricated bench - 4 off-2 braked	£195
Casters fitted to fabricated bench - 6 off-2 braked	£291
Corner chamfer (per metre)	£33
Cut out & rubber scraping ring	£140
Drop down section	£398
V-drain drainer	£150
Lock per door set	£87
Leg set	£38
Mechanical butt joint	£192
Notch/pipe cut out	£95
Reinforced top (per metre)	£70
Sink bowl cover	£130
Stainless back panel (per metre)	£63
Single drawer	£214
Sound deadened mdf backed fab bench worktop (per metre)	£65
Sound deadened mdf fab bench worktop stainless steel back (per metre)	£135
Stainless steel scrap chute	£155

## WALL CUPBOARDS



### DESCRIPTION

Made from stainless steel, these durable wall cupboards are ideal for commercial kitchen storage. Features an adjustable shelf for flexible organisation. Supplied with wall brackets for easy installation.

### FEATURES

- Wall-mounted stainless steel cupboard with a fully enclosed design for secure storage
- Exterior panels, doors, top and base shelf manufactured from 0.9mm thick grade 430 stainless steel
- Offered in standard widths of 600, 900, 1000 and 1200mm (hinged doors) and 900, 1000, 1200 and 1500mm (sliding doors)
- Supplied with an intermediate shelf adjustable to 3 heights
- Overall cupboard dimensions: 547mm height and 300mm depth as standard
- French cleat hanging system, ensuring internal space is not affected
- **Hinged door options:** 600, 900 and 1200mm models include side-hinged steel doors (double skin construction) No front facing handle, under door returned detailed allowing front facing doors to remain flush and easy to clean
- **Sliding door options:** 900, 1200, 1500 and 1800mm versions feature top-hung sliding steel doors (double skin construction) Vertical black recessed handled
- Sliding door units include a central guide channel for smooth and stable operation.

*See page 21 for all product codes and prices*

### MATERIAL SPECIFICATION

#### Carcass

S/steel 430 grade 0.9mm DP

#### Doors

S/steel 430 grade 0.9mm DP

#### Shelf brackets

S/steel 304 grade 0.9mm DP

#### Shelf

S/steel 430 grade 0.9mm DP

#### Wall mounted bracket

S/steel 430 grade 1.2mm DP

### PRODUCT SPECIFICATIONS

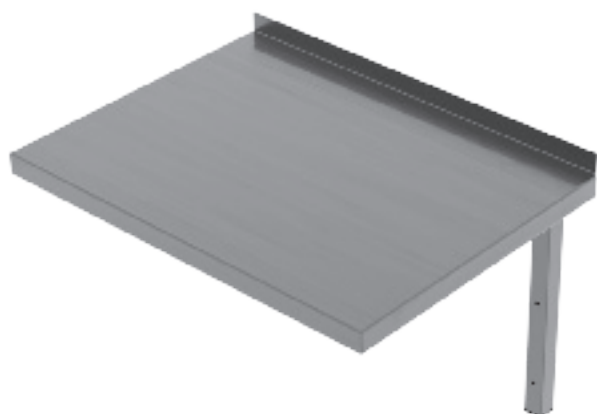
#### HINGED DOORS

#### SLIDING DOORS

WIDTH (mm)	DEPTH (mm) 300	WIDTH (mm)	DEPTH (mm) 300
<b>600</b>	£550	<b>600</b>	£600
<b>900</b>	£600	<b>900</b>	£625
<b>1000</b>	£625	<b>1000</b>	£700
<b>1200</b>	£700	<b>1200</b>	£750



## MICROWAVE SHELVES



WIDTH (mm)	DEPTH (mm)	
	450	600
<b>500</b>	£100	£140
<b>600</b>	£140	£160

### DESCRIPTION

Stainless steel wall mounted shelves designed to free up valuable worktop space and improve kitchen organisation. Durable and easy to clean, providing a hygienic and accessible storage solution for commercial microwaves.

### FEATURES

- Heavy-duty commercial stainless steel microwave shelf, designed for secure and practical positioning of microwaves and countertop equipment in busy kitchen environments
- Available in 500 or 600mm width
- Available in 450 or 650mm depth
- Pre-drilled box section support brackets for on-site installation (fixings not included)
- Reinforced with a 32mm downward return to the front and sides, plus a 30mm rear upstand for added strength

*See page 21 for all product codes and prices*

### MATERIAL SPECIFICATION

#### Framework

S/steel 430 grade 30 x 30 1.2mm square box section

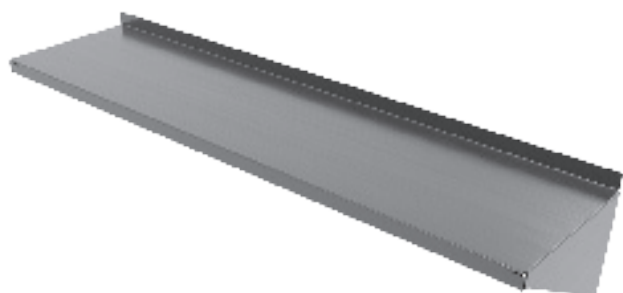
#### Shelf

S/steel 430 grade 1.2mm DP

### PRODUCT SPECIFICATIONS

HEAVY DUTY

## WALL SHELVES



### DESCRIPTION

Stainless steel wall mounted shelves designed to provide additional storage while saving floor space. Durable and easy to clean, ideal for securely storing ingredients, equipment, and utensils. Supplied with heavy duty brackets for stable and easy installation in commercial kitchens.

### FEATURES

- Commercial-grade stainless steel wall shelving, ideal for storing utensils, containers and kitchen equipment in back-of-house areas
- Medium duty designed with a 30mm downturn and upstand.
- Heavy Duty designed with 40mm downturn and 30mm upstand.
- Heavy Duty: L-shaped box section support brackets are pre-drilled for on-site installation (fixings not included)
- Heavy Duty: Additional box section support brackets are provided where required, depending on the selected shelf length.

*See page 21 for all product codes and prices*

### MATERIAL SPECIFICATION

#### Framework

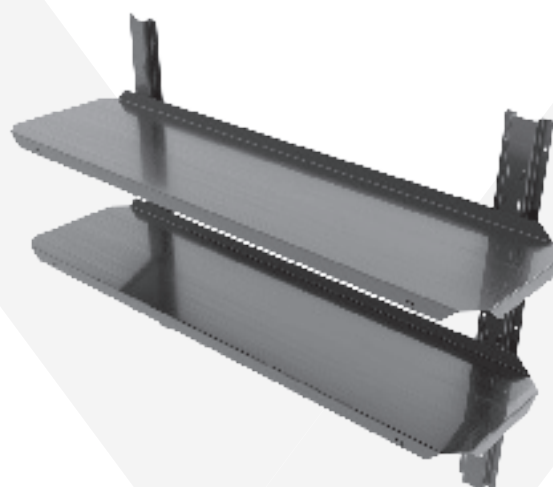
Medium Duty: S/steel 430 grade 1.2mm DP  
 Heavy duty: S/steel 430 grade 30 x 30 1.2mm square

### PRODUCT SPECIFICATIONS

SINGLE		DOUBLE	
WIDTH (mm)	DEPTH (mm) 300	WIDTH (mm)	DEPTH (mm) 300
600	£100	900	£300
900	£120	1200	£330
1200	£140	1500	£360
1500	£160	1500	£390
1800	£180	1800	£420
2000	£200	2100	£450

### HEAVY DUTY SINGLE

WIDTH (mm)	DEPTH (mm) 300
600	£100
900	£120
1200	£140
1500	£160
1800	£180
2000	£200



## SPECIFICATIONS AND PRICES

### WALL BENCHES

#### 300 - 900mm HIGH

PART NO	DIMENSIONS WDH	PRICE
VWB03060A	300mm x 600mm x 900mm	£300.00
VWB03065A	300mm x 650mm x 900mm	£310.00
VWB03070A	300mm x 700mm x 900mm	£320.00
VWB03075A	300mm x 750mm x 900mm	£330.00
VWB03080A	300mm x 800mm x 900mm	£340.00
VWB03085A	300mm x 850mm x 900mm	£350.00

#### 300 - 850mm HIGH

PART NO	DIMENSIONS WDH	PRICE
VWB03060B	300mm x 600mm x 850mm	£290.00
VWB03065B	300mm x 650mm x 850mm	£300.00
VWB03070B	300mm x 700mm x 850mm	£310.00
VWB03075B	300mm x 750mm x 850mm	£320.00
VWB03080B	300mm x 800mm x 850mm	£330.00
VWB03085B	300mm x 850mm x 850mm	£340.00

#### 450 - 900mm HIGH

PART NO	DIMENSIONS WDH	PRICE
VWB04560A	450mm x 600mm x 900mm	£320.00
VWB04565A	450mm x 650mm x 900mm	£330.00
VWB04570A	450mm x 700mm x 900mm	£340.00
VWB04575A	450mm x 750mm x 900mm	£350.00
VWB04580A	450mm x 800mm x 900mm	£360.00
VWB04585A	450mm x 850mm x 900mm	£370.00

#### 450 - 850mm HIGH

PART NO	DIMENSIONS WDH	PRICE
VWB04560B	450mm x 600mm x 850mm	£310.00
VWB04565B	450mm x 650mm x 850mm	£320.00
VWB04570B	450mm x 700mm x 850mm	£330.00
VWB04575B	450mm x 750mm x 850mm	£340.00
VWB04580B	450mm x 800mm x 850mm	£350.00
VWB04585B	450mm x 850mm x 850mm	£360.00

#### 600 - 900mm HIGH

PART NO	DIMENSIONS WDH	PRICE
VWB06060A	600mm x 600mm x 900mm	£340.00
VWB06065A	600mm x 650mm x 900mm	£355.00
VWB06070A	600mm x 700mm x 900mm	£370.00
VWB06075A	600mm x 750mm x 900mm	£385.00
VWB06080A	600mm x 800mm x 900mm	£400.00
VWB06085A	600mm x 850mm x 900mm	£415.00

#### 600 - 850mm HIGH

PART NO	DIMENSIONS WDH	PRICE
VWB06060B	600mm x 600mm x 850mm	£330.00
VWB06065B	600mm x 650mm x 850mm	£345.00
VWB06070B	600mm x 700mm x 850mm	£360.00
VWB06075B	600mm x 750mm x 850mm	£375.00
VWB06080B	600mm x 800mm x 850mm	£390.00
VWB06085B	600mm x 850mm x 850mm	£405.00

#### 900 - 900mm HIGH

PART NO	DIMENSIONS WDH	PRICE
VWB09060A	900mm x 600mm x 900mm	£370.00
VWB09065A	900mm x 650mm x 900mm	£390.00
VWB09070A	900mm x 700mm x 900mm	£410.00
VWB09075A	900mm x 750mm x 900mm	£430.00
VWB09080A	900mm x 800mm x 900mm	£450.00
VWB09085A	900mm x 850mm x 900mm	£470.00

#### 900 - 850mm HIGH

PART NO	DIMENSIONS WDH	PRICE
VWB09060B	900mm x 600mm x 850mm	£360.00
VWB09065B	900mm x 650mm x 850mm	£380.00
VWB09070B	900mm x 700mm x 850mm	£400.00
VWB09075B	900mm x 750mm x 850mm	£420.00
VWB09080B	900mm x 800mm x 850mm	£440.00
VWB09085B	900mm x 850mm x 850mm	£460.00

#### 1200 - 900mm HIGH

PART NO	DIMENSIONS WDH	PRICE
VWB12060A	1200mm x 600mm x 900mm	£410.00
VWB12065A	1200mm x 650mm x 900mm	£435.00
VWB12070A	1200mm x 700mm x 900mm	£460.00
VWB12075A	1200mm x 750mm x 900mm	£485.00
VWB12080A	1200mm x 800mm x 900mm	£510.00
VWB12085A	1200mm x 850mm x 900mm	£535.00

#### 1200 - 850mm HIGH

PART NO	DIMENSIONS WDH	PRICE
VWB12060B	1200mm x 600mm x 850mm	£400.00
VWB12065B	1200mm x 650mm x 850mm	£425.00
VWB12070B	1200mm x 700mm x 850mm	£450.00
VWB12075B	1200mm x 750mm x 850mm	£475.00
VWB12080B	1200mm x 800mm x 850mm	£500.00
VWB12085B	1200mm x 850mm x 850mm	£525.00

**1500 - 900mm HIGH**

PART NO	DIMENSIONS WDH	PRICE
VWB15060A	1500mm x 600mm x 900mm	£470.00
VWB15065A	1500mm x 650mm x 900mm	£500.00
VWB15070A	1500mm x 700mm x 900mm	£530.00
VWB15075A	1500mm x 750mm x 900mm	£560.00
VWB15080A	1500mm x 800mm x 900mm	£590.00
VWB15085A	1500mm x 850mm x 900mm	£620.00

**1500 - 850mm HIGH**

PART NO	DIMENSIONS WDH	PRICE
VWB15060B	1500mm x 600mm x 850mm	£460.00
VWB15065B	1500mm x 650mm x 850mm	£490.00
VWB15070B	1500mm x 700mm x 850mm	£520.00
VWB15075B	1500mm x 750mm x 850mm	£550.00
VWB15080B	1500mm x 800mm x 850mm	£580.00
VWB15085B	1500mm x 850mm x 850mm	£610.00

**1800 - 900mm HIGH**

PART NO	DIMENSIONS WDH	PRICE
VWB18060A	1800mm x 600mm x 900mm	£530.00
VWB18065A	1800mm x 650mm x 900mm	£560.00
VWB18070A	1800mm x 700mm x 900mm	£590.00
VWB18075A	1800mm x 750mm x 900mm	£620.00
VWB18080A	1800mm x 800mm x 900mm	£650.00
VWB18085A	1800mm x 850mm x 900mm	£680.00

**1800 - 850mm HIGH**

PART NO	DIMENSIONS WDH	PRICE
VWB18060B	1800mm x 600mm x 850mm	£520.00
VWB18065B	1800mm x 650mm x 850mm	£550.00
VWB18070B	1800mm x 700mm x 850mm	£580.00
VWB18075B	1800mm x 750mm x 850mm	£610.00
VWB18080B	1800mm x 800mm x 850mm	£640.00
VWB18085B	1800mm x 850mm x 850mm	£670.00

**2100 - 900mm HIGH**

PART NO	DIMENSIONS WDH	PRICE
VWB21060A	2100mm x 600mm x 900mm	£610.00
VWB21065A	2100mm x 650mm x 900mm	£650.00
VWB21070A	2100mm x 700mm x 900mm	£690.00
VWB21075A	2100mm x 750mm x 900mm	£730.00
VWB21080A	2100mm x 800mm x 900mm	£770.00
VWB21085A	2100mm x 850mm x 900mm	£810.00

**2100 - 850mm HIGH**

PART NO	DIMENSIONS WDH	PRICE
VWB21060B	2100mm x 600mm x 850mm	£600.00
VWB21065B	2100mm x 650mm x 850mm	£640.00
VWB21070B	2100mm x 700mm x 850mm	£680.00
VWB21075B	2100mm x 750mm x 850mm	£720.00
VWB21080B	2100mm x 800mm x 850mm	£760.00
VWB21085B	2100mm x 850mm x 850mm	£800.00

**2400 - 900mm HIGH**

PART NO	DIMENSIONS WDH	PRICE
VWB24060A	2400mm x 600mm x 900mm	£690.00
VWB24065A	2400mm x 650mm x 900mm	£730.00
VWB24070A	2400mm x 700mm x 900mm	£770.00
VWB24075A	2400mm x 750mm x 900mm	£810.00
VWB24080A	2400mm x 800mm x 900mm	£850.00
VWB24085A	2400mm x 850mm x 900mm	£890.00

**2400 - 850mm HIGH**

PART NO	DIMENSIONS WDH	PRICE
VWB24060B	2400mm x 600mm x 850mm	£680.00
VWB24065B	2400mm x 650mm x 850mm	£720.00
VWB24070B	2400mm x 700mm x 850mm	£760.00
VWB24075B	2400mm x 750mm x 850mm	£800.00
VWB24080B	2400mm x 800mm x 850mm	£840.00
VWB24085B	2400mm x 850mm x 850mm	£880.00

**CENTRE BENCHES**

**300 - 900mm HIGH**

PART NO	DIMENSIONS WDH	PRICE
VCB03060A	300mm x 600mm x 900mm	£310.00
VCB03065A	300mm x 650mm x 900mm	£330.00
VCB03070A	300mm x 700mm x 900mm	£350.00
VCB03075A	300mm x 750mm x 900mm	£370.00
VCB03080A	300mm x 800mm x 900mm	£390.00
VCB03085A	300mm x 850mm x 900mm	£410.00

**300 - 850mm HIGH**

PART NO	DIMENSIONS WDH	PRICE
VCB03060B	300mm x 600mm x 850mm	£300.00
VCB03065B	300mm x 650mm x 850mm	£320.00
VCB03070B	300mm x 700mm x 850mm	£340.00
VCB03075B	300mm x 750mm x 850mm	£360.00
VCB03080B	300mm x 800mm x 850mm	£380.00
VCB03085B	300mm x 850mm x 850mm	£400.00

For full product specification see product brochure or visit [www.victoronline.co.uk](http://www.victoronline.co.uk)

#### 450 - 900mm HIGH

PART NO	DIMENSIONS WDH	PRICE
VCB04560A	450mm x 600mm x 900mm	£320.00
VCB04565A	450mm x 650mm x 900mm	£340.00
VCB04570A	450mm x 700mm x 900mm	£360.00
VCB04575A	450mm x 750mm x 900mm	£380.00
VCB04580A	450mm x 800mm x 900mm	£400.00
VCB04585A	450mm x 850mm x 900mm	£420.00

#### 450 - 850mm HIGH

PART NO	DIMENSIONS WDH	PRICE
VCB04560B	450mm x 600mm x 850mm	£310.00
VCB04565B	450mm x 650mm x 850mm	£330.00
VCB04570B	450mm x 700mm x 850mm	£350.00
VCB04575B	450mm x 750mm x 850mm	£370.00
VCB04580B	450mm x 800mm x 850mm	£390.00
VCB04585B	450mm x 850mm x 850mm	£410.00

#### 600 - 900mm HIGH

PART NO	DIMENSIONS WDH	PRICE
VCB06060A	600mm x 600mm x 900mm	£330.00
VCB06065A	600mm x 650mm x 900mm	£350.00
VCB06070A	600mm x 700mm x 900mm	£370.00
VCB06075A	600mm x 750mm x 900mm	£390.00
VCB06080A	600mm x 800mm x 900mm	£410.00
VCB06085A	600mm x 850mm x 900mm	£430.00

#### 600 - 850mm HIGH

PART NO	DIMENSIONS WDH	PRICE
VCB06060B	600mm x 600mm x 850mm	£320.00
VCB06065B	600mm x 650mm x 850mm	£340.00
VCB06070B	600mm x 700mm x 850mm	£360.00
VCB06075B	600mm x 750mm x 850mm	£380.00
VCB06080B	600mm x 800mm x 850mm	£400.00
VCB06085B	600mm x 850mm x 850mm	£420.00

#### 900 - 900mm HIGH

PART NO	DIMENSIONS WDH	PRICE
VCB09060A	900mm x 600mm x 900mm	£400.00
VCB09065A	900mm x 650mm x 900mm	£420.00
VCB09070A	900mm x 700mm x 900mm	£440.00
VCB09075A	900mm x 750mm x 900mm	£460.00
VCB09080A	900mm x 800mm x 900mm	£480.00
VCB09085A	900mm x 850mm x 900mm	£500.00

#### 900 - 850mm HIGH

PART NO	DIMENSIONS WDH	PRICE
VCB09060B	900mm x 600mm x 850mm	£390.00
VCB09065B	900mm x 650mm x 850mm	£410.00
VCB09070B	900mm x 700mm x 850mm	£430.00
VCB09075B	900mm x 750mm x 850mm	£450.00
VCB09080B	900mm x 800mm x 850mm	£470.00
VCB09085B	900mm x 850mm x 850mm	£490.00

#### 1200 - 900mm HIGH

PART NO	DIMENSIONS WDH	PRICE
VCB12060A	1200mm x 600mm x 900mm	£435.00
VCB12065A	1200mm x 650mm x 900mm	£460.00
VCB12070A	1200mm x 700mm x 900mm	£485.00
VCB12075A	1200mm x 750mm x 900mm	£510.00
VCB12080A	1200mm x 800mm x 900mm	£535.00
VCB12085A	1200mm x 850mm x 900mm	£560.00

#### 1200 - 850mm HIGH

PART NO	DIMENSIONS WDH	PRICE
VCB12060B	1200mm x 600mm x 850mm	£425.00
VCB12065B	1200mm x 650mm x 850mm	£450.00
VCB12070B	1200mm x 700mm x 850mm	£475.00
VCB12075B	1200mm x 750mm x 850mm	£500.00
VCB12080B	1200mm x 800mm x 850mm	£525.00
VCB12085B	1200mm x 850mm x 850mm	£550.00

#### 1500 - 900mm HIGH

PART NO	DIMENSIONS WDH	PRICE
VCB15060A	1500mm x 600mm x 900mm	£480.00
VCB15065A	1500mm x 650mm x 900mm	£505.00
VCB15070A	1500mm x 700mm x 900mm	£530.00
VCB15075A	1500mm x 750mm x 900mm	£555.00
VCB15080A	1500mm x 800mm x 900mm	£580.00
VCB15085A	1500mm x 850mm x 900mm	£605.00

#### 1500 - 850mm HIGH

PART NO	DIMENSIONS WDH	PRICE
VCB15060B	1500mm x 600mm x 850mm	£470.00
VCB15065B	1500mm x 650mm x 850mm	£495.00
VCB15070B	1500mm x 700mm x 850mm	£520.00
VCB15075B	1500mm x 750mm x 850mm	£545.00
VCB15080B	1500mm x 800mm x 850mm	£570.00
VCB15085B	1500mm x 850mm x 850mm	£595.00

For full product specification see product brochure or visit [www.victoronline.co.uk](http://www.victoronline.co.uk)

#### 1800 - 900mm HIGH

PART NO	DIMENSIONS WDH	PRICE
VCB18060A	1800mm x 600mm x 900mm	£535.00
VCB18065A	1800mm x 650mm x 900mm	£570.00
VCB18070A	1800mm x 700mm x 900mm	£605.00
VCB18075A	1800mm x 750mm x 900mm	£640.00
VCB18080A	1800mm x 800mm x 900mm	£675.00
VCB18085A	1800mm x 850mm x 900mm	£710.00

#### 1800 - 850mm HIGH

PART NO	DIMENSIONS WDH	PRICE
VCB18060B	1800mm x 600mm x 850mm	£525.00
VCB18065B	1800mm x 650mm x 850mm	£560.00
VCB18070B	1800mm x 700mm x 850mm	£595.00
VCB18075B	1800mm x 750mm x 850mm	£630.00
VCB18080B	1800mm x 800mm x 850mm	£665.00
VCB18085B	1800mm x 850mm x 850mm	£700.00

#### 2100 - 900mm HIGH

PART NO	DIMENSIONS WDH	PRICE
VCB21060A	2100mm x 600mm x 900mm	£620.00
VCB21065A	2100mm x 650mm x 900mm	£665.00
VCB21070A	2100mm x 700mm x 900mm	£710.00
VCB21075A	2100mm x 750mm x 900mm	£755.00
VCB21080A	2100mm x 800mm x 900mm	£800.00
VCB21085A	2100mm x 850mm x 900mm	£845.00

#### 2100 - 850mm HIGH

PART NO	DIMENSIONS WDH	PRICE
VCB21060B	2100mm x 600mm x 850mm	£610.00
VCB21065B	2100mm x 650mm x 850mm	£655.00
VCB21070B	2100mm x 700mm x 850mm	£700.00
VCB21075B	2100mm x 750mm x 850mm	£745.00
VCB21080B	2100mm x 800mm x 850mm	£790.00
VCB21085B	2100mm x 850mm x 850mm	£835.00

#### 2400 - 900mm HIGH

PART NO	DIMENSIONS WDH	PRICE
VCB24060A	2400mm x 600mm x 900mm	£705.00
VCB24065A	2400mm x 650mm x 900mm	£750.00
VCB24070A	2400mm x 700mm x 900mm	£795.00
VCB24075A	2400mm x 750mm x 900mm	£840.00
VCB24080A	2400mm x 800mm x 900mm	£885.00
VCB24085A	2400mm x 850mm x 900mm	£930.00

#### 2400 - 850mm HIGH

PART NO	DIMENSIONS WDH	PRICE
VCB24060B	2400mm x 600mm x 850mm	£695.00
VCB24065B	2400mm x 650mm x 850mm	£740.00
VCB24070B	2400mm x 700mm x 850mm	£785.00
VCB24075B	2400mm x 750mm x 850mm	£830.00
VCB24080B	2400mm x 800mm x 850mm	£875.00
VCB24085B	2400mm x 850mm x 850mm	£920.00

## SQUARE GANTRIES

### ONE TIER AMBIENT

PART NO	DIMENSIONS WDH	PRICE
VSG1TA090	900mm x 350mm x 320mm	£445.00
VSG1TA120	1200mm x 350mm x 320mm	£465.00
VSG1TA150	1500mm x 350mm x 320mm	£485.00
VSG1TA180	1800mm x 350mm x 320mm	£505.00
VSG1TA210	2100mm x 350mm x 320mm	£525.00

### TWO TIER AMBIENT

PART NO	DIMENSIONS WDH	PRICE
VSG2TA090	900mm x 350mm x 605mm	£545.00
VSG2TA120	1200mm x 350mm x 605mm	£605.00
VSG2TA150	1500mm x 350mm x 605mm	£665.00
VSG2TA180	1800mm x 350mm x 605mm	£725.00
VSG2TA210	2100mm x 350mm x 605mm	£785.00

### ONE TIER QUARTZ LIT - C/W SWITCH

PART NO	DIMENSIONS WDH	PRICE
VSG1TQ090S	900mm x 350mm x 320mm	£545.00
VSG1TQ120S	1200mm x 350mm x 320mm	£605.00
VSG1TQ150S	1500mm x 350mm x 320mm	£665.00
VSG1TQ180S	1800mm x 350mm x 320mm	£725.00
VSG1TQ210S	2100mm x 350mm x 320mm	£785.00

### TWO TIER QUARTZ LIT - C/W SWITCH

PART NO	DIMENSIONS WDH	PRICE
VSG2TQ090S	900mm x 350mm x 605mm	£895.00
VSG2TQ120S	1200mm x 350mm x 605mm	£1015.00
VSG2TQ150S	1500mm x 350mm x 605mm	£1135.00
VSG2TQ180S	1800mm x 350mm x 605mm	£1255.00
VSG2TQ210S	2100mm x 350mm x 605mm	£1375.00

## INFILL TABLES

### 300 - 900mm HIGH

PART NO	DIMENSIONS WDH	PRICE
VIT03060A	300mm x 600mm x 900mm	£300.00
VIT03065A	300mm x 650mm x 900mm	£320.00
VIT03070A	300mm x 700mm x 900mm	£340.00
VIT03075A	300mm x 750mm x 900mm	£360.00
VIT03080A	300mm x 800mm x 900mm	£380.00
VIT03085A	300mm x 850mm x 900mm	£400.00

### 300 - 850mm HIGH

PART NO	DIMENSIONS WDH	PRICE
VIT03060B	300mm x 600mm x 850mm	£290.00
VIT03065B	300mm x 650mm x 850mm	£310.00
VIT03070B	300mm x 700mm x 850mm	£330.00
VIT03075B	300mm x 750mm x 850mm	£350.00
VIT03080B	300mm x 800mm x 850mm	£370.00
VIT03085B	300mm x 850mm x 850mm	£390.00

### 400 - 900mm HIGH

PART NO	DIMENSIONS WDH	PRICE
VIT04060A	400mm x 600mm x 900mm	£310.00
VIT04065A	400mm x 650mm x 900mm	£330.00
VIT04070A	400mm x 700mm x 900mm	£350.00
VIT04075A	400mm x 750mm x 900mm	£370.00
VIT04080A	400mm x 800mm x 900mm	£390.00
VIT04085A	400mm x 850mm x 900mm	£410.00

### 400 - 850mm HIGH

PART NO	DIMENSIONS WDH	PRICE
VIT04060B	400mm x 600mm x 850mm	£300.00
VIT04065B	400mm x 650mm x 850mm	£320.00
VIT04070B	400mm x 700mm x 850mm	£340.00
VIT04075B	400mm x 750mm x 850mm	£360.00
VIT04080B	400mm x 800mm x 850mm	£380.00
VIT04085B	400mm x 850mm x 850mm	£400.00

### 500 - 900mm HIGH

PART NO	DIMENSIONS WDH	PRICE
VIT05060A	500mm x 600mm x 900mm	£320.00
VIT05065A	500mm x 650mm x 900mm	£340.00
VIT05070A	500mm x 700mm x 900mm	£360.00
VIT05075A	500mm x 750mm x 900mm	£380.00
VIT05080A	500mm x 800mm x 900mm	£400.00
VIT05085A	500mm x 850mm x 900mm	£420.00

### 500 - 850mm HIGH

PART NO	DIMENSIONS WDH	PRICE
VIT05060B	500mm x 600mm x 850mm	£310.00
VIT05065B	500mm x 650mm x 850mm	£330.00
VIT05070B	500mm x 700mm x 850mm	£350.00
VIT05075B	500mm x 750mm x 850mm	£370.00
VIT05080B	500mm x 800mm x 850mm	£390.00
VIT05085B	500mm x 850mm x 850mm	410.00

### 600 - 900mm HIGH

PART NO	DIMENSIONS WDH	PRICE
VIT06060A	600mm x 600mm x 900mm	£330.00
VIT06065A	600mm x 650mm x 900mm	£350.00
VIT06070A	600mm x 700mm x 900mm	£370.00
VIT06075A	600mm x 750mm x 900mm	£390.00
VIT06080A	600mm x 800mm x 900mm	£410.00
VIT06085A	600mm x 850mm x 900mm	£430.00

### 600 - 850mm HIGH

PART NO	DIMENSIONS WDH	PRICE
VIT06060B	600mm x 600mm x 850mm	£320.00
VIT06065B	600mm x 650mm x 850mm	£340.00
VIT06070B	600mm x 700mm x 850mm	£360.00
VIT06075B	600mm x 750mm x 850mm	£380.00
VIT06080B	600mm x 800mm x 850mm	£400.00
VIT06085B	600mm x 850mm x 850mm	£420.00

## SINGLE SINK UNITS

### 700 - 900mm HIGH

PART NO	DIMENSIONS WDH	PRICE
VSS07060AM	700mm x 600mm x 900mm	£850.00
VSS07065AM	700mm x 650mm x 900mm	£865.00
VSS07070AM	700mm x 700mm x 900mm	£880.00
VSS07075AM	700mm x 750mm x 900mm	£895.00

### 700 - 850mm HIGH

PART NO	DIMENSIONS WDH	PRICE
VSS07060BM	700mm x 600mm x 850mm	£840.00
VSS07065BM	700mm x 650mm x 850mm	£855.00
VSS07070BM	700mm x 700mm x 850mm	£870.00
VSS07075BM	700mm x 750mm x 850mm	£885.00

**1200 - 900mm HIGH**

PART NO	DIMENSIONS WDH	PRICE
VSS12060AL	1200mm x 600mm x 900mm	£930.00
VSS12060AR	1200mm x 600mm x 900mm	£930.00
VSS12065AL	1200mm x 650mm x 900mm	£955.00
VSS12065AR	1200mm x 650mm x 900mm	£955.00
VSS12070AL	1200mm x 700mm x 900mm	£980.00
VSS12070AR	1200mm x 700mm x 900mm	£980.00
VSS12075AL	1200mm x 750mm x 900mm	£1005.00
VSS12075AR	1200mm x 750mm x 900mm	£1005.00

**1200 - 850mm HIGH**

PART NO	DIMENSIONS WDH	PRICE
VSS12060BL	1200mm x 600mm x 850mm	£920.00
VSS12060BR	1200mm x 600mm x 850mm	£920.00
VSS12065BL	1200mm x 650mm x 850mm	£945.00
VSS12065BR	1200mm x 650mm x 850mm	£945.00
VSS12070BL	1200mm x 700mm x 850mm	£970.00
VSS12070BR	1200mm x 700mm x 850mm	£970.00
VSS12075BL	1200mm x 750mm x 850mm	£995.00
VSS12075BR	1200mm x 750mm x 850mm	£995.00

**1500 - 900mm HIGH**

PART NO	DIMENSIONS WDH	PRICE
VSS15060AL	1500mm x 600mm x 900mm	£1010.00
VSS15060AR	1500mm x 600mm x 900mm	£1010.00
VSS15065AL	1500mm x 650mm x 900mm	£1035.00
VSS15065AR	1500mm x 650mm x 900mm	£1035.00
VSS15070AL	1500mm x 700mm x 900mm	£1060.00
VSS15070AR	1500mm x 700mm x 900mm	£1060.00
VSS15075AL	1500mm x 750mm x 900mm	£1085.00
VSS15075AR	1500mm x 750mm x 900mm	£1085.00

**1500 - 850mm HIGH**

PART NO	DIMENSIONS WDH	PRICE
VSS15060BL	1500mm x 600mm x 850mm	£1000.00
VSS15060BR	1500mm x 600mm x 850mm	£1000.00
VSS15065BL	1500mm x 650mm x 850mm	£1025.00
VSS15065BR	1500mm x 650mm x 850mm	£1025.00
VSS15070BL	1500mm x 700mm x 850mm	£1050.00
VSS15070BR	1500mm x 700mm x 850mm	£1050.00
VSS15075BL	1500mm x 750mm x 850mm	£1075.00
VSS15075BR	1500mm x 750mm x 850mm	£1075.00

**1800 - 900mm HIGH**

PART NO	DIMENSIONS WDH	PRICE
VSS18060AL	1800mm x 600mm x 900mm	£1090.00
VSS18060AM	1800mm x 600mm x 900mm	£1090.00
VSS18060AR	1800mm x 600mm x 900mm	£1090.00
VSS18065AL	1800mm x 650mm x 900mm	£1115.00
VSS18065AM	1800mm x 650mm x 900mm	£1115.00
VSS18065AR	1800mm x 650mm x 900mm	£1115.00
VSS18070AL	1800mm x 700mm x 900mm	£1140.00
VSS18070AM	1800mm x 700mm x 900mm	£1140.00
VSS18070AR	1800mm x 700mm x 900mm	£1140.00
VSS18075AL	1800mm x 750mm x 900mm	£1165.00
VSS18075AM	1800mm x 750mm x 900mm	£1165.00
VSS18075AR	1800mm x 750mm x 900mm	£1165.00

**1800 - 850mm HIGH**

PART NO	DIMENSIONS WDH	PRICE
VSS18060BL	1800mm x 600mm x 850mm	£1080.00
VSS18060BM	1800mm x 600mm x 850mm	£1080.00
VSS18060BR	1800mm x 600mm x 850mm	£1080.00
VSS18065BL	1800mm x 650mm x 850mm	£1105.00
VSS18065BM	1800mm x 650mm x 850mm	£1105.00
VSS18065BR	1800mm x 650mm x 850mm	£1105.00
VSS18070BL	1800mm x 700mm x 850mm	£1130.00
VSS18070BM	1800mm x 700mm x 850mm	£1130.00
VSS18070BR	1800mm x 700mm x 850mm	£1130.00
VSS18075BL	1800mm x 750mm x 850mm	£1155.00
VSS18075BM	1800mm x 750mm x 850mm	£1155.00
VSS18075BR	1800mm x 750mm x 850mm	£1155.00

**2400 - 900mm HIGH**

PART NO	DIMENSIONS WDH	PRICE
VSS24060AL	2400mm x 600mm x 900mm	£1290.00
VSS24060AM	2400mm x 600mm x 900mm	£1290.00
VSS24060AR	2400mm x 600mm x 900mm	£1290.00
VSS24065AL	2400mm x 650mm x 900mm	£1335.00
VSS24065AM	2400mm x 650mm x 900mm	£1335.00
VSS24065AR	2400mm x 650mm x 900mm	£1335.00
VSS24070AL	2400mm x 700mm x 900mm	£1380.00
VSS24070AM	2400mm x 700mm x 900mm	£1380.00
VSS24070AR	2400mm x 700mm x 900mm	£1380.00
VSS24075AL	2400mm x 750mm x 900mm	£1425.00
VSS24075AM	2400mm x 750mm x 900mm	£1425.00
VSS24075AR	2400mm x 750mm x 900mm	£1425.00

**2400 - 850mm HIGH**

PART NO	DIMENSIONS WDH	PRICE
VSS24060BL	2400mm x 600mm x 850mm	£1280.00
VSS24060BM	2400mm x 600mm x 850mm	£1280.00
VSS24060BR	2400mm x 600mm x 850mm	£1280.00
VSS24065BL	2400mm x 650mm x 850mm	£1325.00
VSS24065BM	2400mm x 650mm x 850mm	£1325.00
VSS24065BR	2400mm x 650mm x 850mm	£1325.00
VSS24070BL	2400mm x 700mm x 850mm	£1370.00
VSS24070BM	2400mm x 700mm x 850mm	£1370.00
VSS24070BR	2400mm x 700mm x 850mm	£1370.00
VSS24075BL	2400mm x 750mm x 850mm	£1415.00
VSS24075BM	2400mm x 750mm x 850mm	£1415.00
VSS24075BR	2400mm x 750mm x 850mm	£1415.00

**DOUBLE SINK UNITS**

**1800 - 900mm HIGH**

PART NO	DIMENSIONS WDH	PRICE
VDS18060AL	1800mm x 600mm x 900mm	£1490.00
VDS18060AR	1800mm x 600mm x 900mm	£1490.00
VDS18065AL	1800mm x 650mm x 900mm	£1540.00
VDS18065AR	1800mm x 650mm x 900mm	£1540.00
VDS18070AL	1800mm x 700mm x 900mm	£1590.00
VDS18070AR	1800mm x 700mm x 900mm	£1590.00
VDS18075AL	1800mm x 750mm x 900mm	£1640.00
VDS18075AR	1800mm x 750mm x 900mm	£1640.00

**1800 - 850mm HIGH**

PART NO	DIMENSIONS WDH	PRICE
VDS18060BL	1800mm x 600mm x 850mm	£1480.00
VDS18060BR	1800mm x 600mm x 850mm	£1480.00
VDS18065BL	1800mm x 650mm x 850mm	£1530.00
VDS18065BR	1800mm x 650mm x 850mm	£1530.00
VDS18070BL	1800mm x 700mm x 850mm	£1580.00
VDS18070BR	1800mm x 700mm x 850mm	£1580.00
VDS18075BL	1800mm x 750mm x 850mm	£1630.00
VDS18075BR	1800mm x 750mm x 850mm	£1630.00

**2400 - 900mm HIGH**

PART NO	DIMENSIONS WDH	PRICE
VDS24060AL	2400mm x 600mm x 900mm	£1690.00
VDS24060AM	2400mm x 600mm x 900mm	£1690.00
VDS24060AR	2400mm x 600mm x 900mm	£1690.00
VDS24065AL	2400mm x 650mm x 900mm	£1740.00
VDS24065AM	2400mm x 650mm x 900mm	£1740.00
VDS24065AR	2400mm x 650mm x 900mm	£1740.00
VDS24070AL	2400mm x 700mm x 900mm	£1790.00
VDS24070AM	2400mm x 700mm x 900mm	£1790.00
VDS24070AR	2400mm x 700mm x 900mm	£1790.00
VDS24075AL	2400mm x 750mm x 900mm	£1840.00
VDS24075AM	2400mm x 750mm x 900mm	£1840.00
VDS24075AR	2400mm x 750mm x 900mm	£1840.00

**2400 - 850mm HIGH**

PART NO	DIMENSIONS WDH	PRICE
VDS24060BL	2400mm x 600mm x 850mm	£1680.00
VDS24060BM	2400mm x 600mm x 850mm	£1680.00
VDS24060BR	2400mm x 600mm x 850mm	£1680.00
VDS24065BL	2400mm x 650mm x 850mm	£1730.00
VDS24065BM	2400mm x 650mm x 850mm	£1730.00
VDS24065BR	2400mm x 650mm x 850mm	£1730.00
VDS24070BL	2400mm x 700mm x 850mm	£1780.00
VDS24070BM	2400mm x 700mm x 850mm	£1780.00
VDS24070BR	2400mm x 700mm x 850mm	£1780.00
VDS24075BL	2400mm x 750mm x 850mm	£1830.00
VDS24075BM	2400mm x 750mm x 850mm	£1830.00
VDS24075BR	2400mm x 750mm x 850mm	£1830.00

**DISHWASH TABLES**

**650 INLET TABLE**

PART NO	DIMENSIONS W	PRICE
VDWI065L	650mm	£750.00
VDWI065R	650mm	£750.00
VDWITD065L	Extended Tap Deck 650mm	£800.00
VDWITD065R	Extended Tap Deck 650mm	£800.00

**650 OUTLET TABLE**

PART NO	DIMENSIONS W	PRICE
VDWO065L	650mm	£500.00
VDWO065R	650mm	£500.00
VDWOTD065L	Extended Tap Deck 650mm	£550.00
VDWOTD065R	Extended Tap Deck 650mm	£550.00

**1150 INLET TABLE**

For full product specification see product brochure or visit [www.victoronline.co.uk](http://www.victoronline.co.uk)

PART NO	DIMENSIONS W	PRICE
VDWI115L	1150mm	£850.00
VDWI115R	1150mm	£850.00
VDWITD115L	Extended Tap Deck 1150mm	£900.00
VDWITD115R	Extended Tap Deck 1150mm	£900.00

#### 1150 OUTLET TABLE

PART NO	DIMENSIONS W	PRICE
VDWO115L	1150mm	£600.00
VDWO115R	1150mm	£600.00
VDWOTD115L	Extended Tap Deck 1150mm	£650.00
VDWOTD115R	Extended Tap Deck 1150mm	£650.00

#### 1650 INLET TABLE

PART NO	DIMENSIONS W	PRICE
VDWI165L	1650mm	£1000.00
VDWI165R	1650mm	£1000.00
VDWITD165L	Extended Tap Deck 1650mm	£1050.00
VDWITD165R	Extended Tap Deck 1650mm	£1050.00

#### 1650 OUTLET TABLE

PART NO	DIMENSIONS W	PRICE
VDWO165L	1650mm	£750.00
VDWO165R	1650mm	£750.00
VDWOTD165L	Extended Tap Deck 1650mm	£800.00
VDWOTD165R	Extended Tap Deck 1650mm	£800.00

#### 2150 INLET TABLE

PART NO	DIMENSIONS W	PRICE
VDWI215L	2150mm	£1150.00
VDWI215R	2150mm	£1150.00
VDWITD215L	Extended Tap Deck 2150mm	£1225.00
VDWITD215R	Extended Tap Deck 2150mm	£1225.00

#### 2150 OUTLET TABLE

PART NO	DIMENSIONS W	PRICE
VDWO215L	2150mm	£900.00
VDWO215R	2150mm	£900.00
VDWOTD215L	Extended Tap Deck 2150mm	£975.00
VDWOTD215R	Extended Tap Deck 2150mm	£975.00

## WALL CUPBOARDS

### HINGED DOORS

PART NO	DIMENSIONS WDH	PRICE
VWC060H	600mm x 300mm x 600mm	£550.00
VWC090H	900mm x 300mm x 600mm	£600.00
VWC100H	1000mm x 300mm x 600mm	£625.00
VWC120H	1200mm x 300mm x 600mm	£700.00

## SLIDING DOORS

PART NO	DIMENSIONS WDH	PRICE
VWC060S	900mm x 300mm x 600mm	£600.00
VWC090S	1000mm x 300mm x 600mm	£625.00
VWC100S	1200mm x 300mm x 600mm	£700.00
VWC120S	1500mm x 300mm x 600mm	£750.00

## MICROWAVE SHELF

### HEAVY DUTY

PART NO	DIMENSIONS WDH	PRICE
VMSHD05045	500mm x 450mm x 400mm	£100.00
VMSHD05060	500mm x 600mm x 400mm	£120.00
VMSHD06045	600mm x 450mm x 400mm	£140.00
VMSHD06060	600mm x 600mm x 400mm	£160.00

## WALL SHELVES

### SINGLE

PART NO	DIMENSIONS WDH	PRICE
VWS060	600mm x 300mm x 234mm	£100.00
VWS090	900mm x 300mm x 234mm	£120.00
VWS120	1200mm x 300mm x 234mm	£140.00
VWS150	1500mm x 300mm x 234mm	£160.00
VWS180	1800mm x 300mm x 234mm	£180.00
VWS200	2000mm x 300mm x 234mm	£200.00

### DOUBLE

PART NO	DIMENSIONS WDH	PRICE
VWSD060	600mm x 300mm x 800mm	£300.00
VWSD090	900mm x 300mm x 800mm	£330.00
VWSD120	1200mm x 300mm x 800mm	£360.00
VWSD150	1500mm x 300mm x 800mm	£390.00
VWSD180	1800mm x 300mm x 800mm	£420.00
VWSD200	2000mm x 300mm x 800mm	£450.00

### HEAVY DUTY SINGLE

PART NO	DIMENSIONS WDH	PRICE
VWSHD060	600mm x 300mm x 234mm	£100.00
VWSHD090	900mm x 300mm x 234mm	£120.00
VWSHD120	1200mm x 300mm x 234mm	£140.00
VWSHD150	1500mm x 300mm x 234mm	£160.00
VWSHD180	1800mm x 300mm x 234mm	£180.00
VWSHD200	2000mm x 300mm x 234mm	£200.00

## WARRANTY POLICY

### WARRANTY PERIOD

All Victor catering equipment supplied to the United Kingdom mainland is guaranteed against defective workmanship, faulty components and materials for a period of 24 months from the point of installation.

---

### INSTALLATION

All Victor catering equipment must be installed by a suitable qualified contractor. Faults arising out of incorrect installation are not covered by this product warranty.

---

### AUTHORISED WARRANTY

Victor Manufacturing must authorise all warranty repairs prior to commencement of work. Work carried out on equipment without authorisation will not be covered under warranty nor will any resultant damage.

---

### SITE ACCESS

Warranty repairs are carried out between 8.00am and 5.00pm on weekdays by prior arrangement. The customer must ensure that the engineer has access to the product at the time arranged.

---

### MAINTENANCE

Warranty does not cover routine maintenance or cleaning, however, users are advised that routine maintenance must be carried out in accordance with our instructions. This is of particular importance with refrigeration and gas fuelled appliances. Work made necessary by lack of routine maintenance or cleaning is not covered by this warranty and will be charged.

---

### IMPROPER USE

This warranty does not cover customer misuse or abuse resulting in broken components or damaged equipment. Some parts will not automatically be covered by this warranty (e.g. panels, glass, lamps, shelves, etc.). It should be noted that many surface finishes including paint, plastic coated steel, chrome and gold plating can be scratched and damaged if not properly cared for; such damage is not covered by this warranty.

The user must ensure that people using equipment are adequately trained.

---

### REFRIGERATION

It is important to note that warranty cover on refrigerated products is dependent upon the conditions in which the product is situated, which must fall within the temperature and relative humidity levels laid down in the product specification. It is the responsibility of the customer to ensure that working conditions are suitable.

Work carried out on equipment which does not fall within the scope of this warranty will be chargeable.

---



For full product specification see product brochure or visit [www.victoronline.co.uk](http://www.victoronline.co.uk)

Victor Manufacturing Limited  
Back Prospect Works  
South Street  
Keighley  
BD21 5AA  
01274 722125  
[sales@victormfg.co.uk](mailto:sales@victormfg.co.uk)



*Victor products are  
manufactured in the UK and  
carry a two year warranty*